



SONY En-Effio-E Wide Dynamic IR Dome Color Camera



NEW 2012 APR. V1.0



CCTV Surveillance **VCS-9526SHD**

- 1/3" Digital Wide Dynamic Color Camera
- Resolution: 700TVL
- Color:0.03Lux / B/W:0.01Lux
- 24pcs IR LED, IR Range: 20M
- ATR Digital Powerful 128X WDR (52dB)
- Anti-Headlight (HLC)
- 2D Noise Reduction
- High Contrast Images
- Ideal for Backlight Environments
- Picture Quality Adjustable (Contrast/Sharpness/Hue/Gain)

VCS-9526SHD SONY En-Effio-E Wide Dynamic IR Dome Color Camera



· WDR



Normal



WDR On

· BLC



Normal



BLC On

· HLC



Normal



HLC On

· DNR



Normal



DNR On

· D&N



Normal



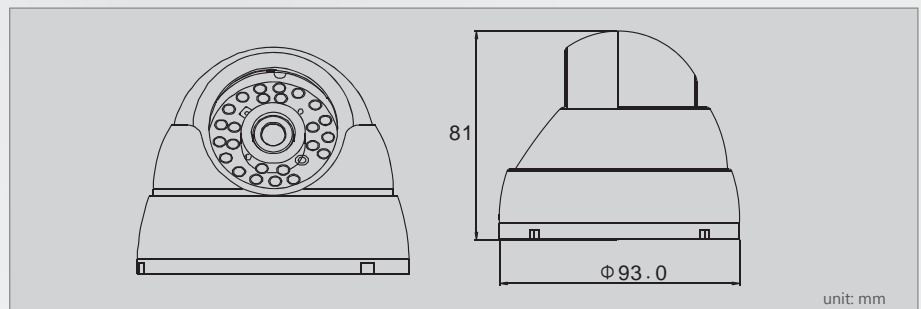
D&N On

SPECIFICATIONS

Video System	NTSC	PAL
Pick Up Element	1/3 Inch 960H CCD Image Sensor	
Image Signal Process	DIGITAL SIGNAL PROCESSING SYSTEM	
Lens	3.6 / 6.0 mm	
Number Of Effective Pixels	1020 (H) x 508 (V)	1020(H) x 596 (V)
Picture Elements	Approximately 520k	Approximately 610k
Horizontal Resolution	700TVL	
Power Supply	DC 12 ± 1V	
Power Consumption	100mA(IR OFF) / 350mA(IR ON)	
Synchronization	INTERNAL	
Scanning System	2 : 1 INTERLACE	
Sensitivity	0 LUX(IR ON)	
Minimum Illumination	Color : 0.03 Lux	
S/N Ratio	Max.52 dB(AGC off, Weight on)	
Menu	Build in OSD Control	
Title	Title	
Wide Dynamic Range (WDR)	ATR Digital WD	
Back Light Compensation (BLC)	HLC / BLC / OFF	
Automatic Gain Control (AGC)	ON / OFF (4 Steps)	
Dynamic Noise Reduction(DNR)	2D-NR	
Day & Night Mode (D&N)	Color / B&W / AUTO	
Motion Detection	ON / OFF (24x16 Zones)	
Flicker Less	ON / OFF	
Privacy Mask	ON / OFF (8 Zones Programmable, Mosaic)	
Auto White Balance	ATW/PUSH/USER1/USER2/ANTI CR/ MANUAL/PUSH LOCK (1800K to 10500K)	
Electronic Shutter	AUTO: 1/60 ~ 1/100,000s	AUTO: 1/50 ~1/100,000s
Output	1 Vp-p COMPOSITE VIDEO OUTPUT, 75 OHMS	
LEDs	24PCS	
IR Range	20 M	
IR Wavelength	850 nm	
Operating Temperature	- 5° C ~ +60°C	
Dimensions (H x L)	93x81 mm	
Weight	About 300g	

★ Product specifications are subject to change without notice; please contact us for the latest information.

DIMENSION



unit: mm

■ DISTRIBUTED BY

