



IR Dome Camera



CCTV Surveillance

NEW 2013 JAN. V1.0



VCS-926D(420TVL) VCS-926HD(540TVL)

- 1/3" SONY CCD Image Sensor.
- Resolution: 420TVL/540TVL.
- 3.6mm / 6mm LENS
- Sensitivity:0 LUX -IR ON
- 24 PCS IR LED; 20M IR Range

IR Dome Camera

VCS-926D / VCS-926HD

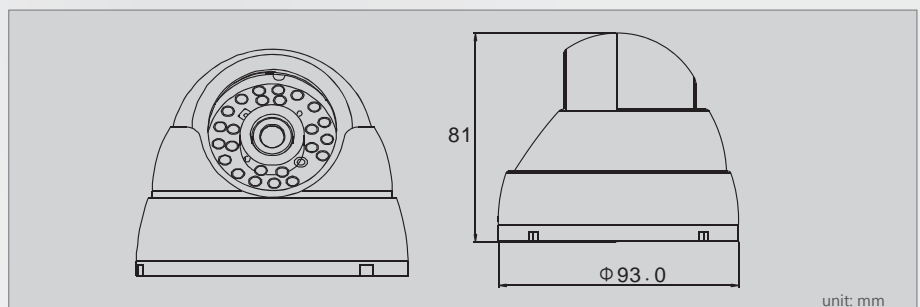


SPECIFICATIONS

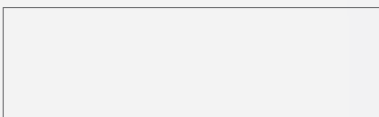
Model	VCS-926D		VCS-926HD	
Video System	NTSC	PAL	NTSC	PAL
Pick Up Element	1/3 INCH CCD IMAGE SENSOR (INTER LINE)			
Image Signal Process	DIGITAL SIGNAL PROCESSING SYSTEM			
Lens	3.6mm / 6mm LENS			
Number of Effective Pixels	510 (H) x 492 (V)	500 (H) x 582 (V)	768 (H) x 494 (V)	752 (H) x 582 (V)
Picture Elements	Approximately 250K	Approximately 290K	Approximately 380k	Approximately 440k
Horizontal Resolution	MAX. 420 TV LINES		MAX. 540 TV LINES	
Power Supply	DC 12 ± 1V			
Power Consumption	90mA(IR OFF) / 250mA(IR ON)			
Synchronization	INTERNAL			
Scanning System	2 : 1 INTERLACE			
Sensitivity	0 LUX(IR ON)			
S/N Ratio	Max 48 dB			
Auto Gain Control	YES			
Back Light Compensation	YES			
White Balance	AUTO			
Electronic Shutter	NTSC: AUTO: 1/60 ~ 1/10000s			
	PAL: AUTO: 1/50 ~1/10000s			
Output	1 Vp-p COMPOSITE VIDEO OUTPUT, 75 OHMS			
LEDs	24PCS			
IR Range	20 M			
IR Wavelength	850 nm			
Operating Temperature	- 5° C ~ +60°C			
Dimensions (HxL)	93x81 mm			
Weight	About 300g			

* Product specifications are subject to change without notice; please contact us for the latest information.

DIMENSION



■ DISTRIBUTED BY



unit: mm