



SONY En-Effio-E Wide Dynamic IR Bullet Color Camera



NEW 2012 NOV. V1.1



CCTV Surveillance **VCS-9538SH**

- 1/3" Digital Wide Dynamic Color Camera
- Resolution: 700TVL
- Color:0.03Lux / B/W:0.01Lux
- 56pcs IR LED, IR Range: 40M
- ATR Digital Powerful 128X WDR (52dB)
- Anti-Headlight (HLC)
- IR Cut Filter, Accurate Color Performance
- 2D Noise Reduction
- High Contrast Images
- Ideal for Backlight Environments
- Picture Quality Adjustable (Contrast/Sharpness/Hue/Gain)
- IP 66 Rating

VCS-9538SH SONY En-Effio-E Wide Dynamic IR Bullet Color Camera



· WDR



Normal



WDR On

· BLC



Normal



BLC On

· HLC



Normal



HLC On

· DNR



Normal



DNR On

· D&N



Normal



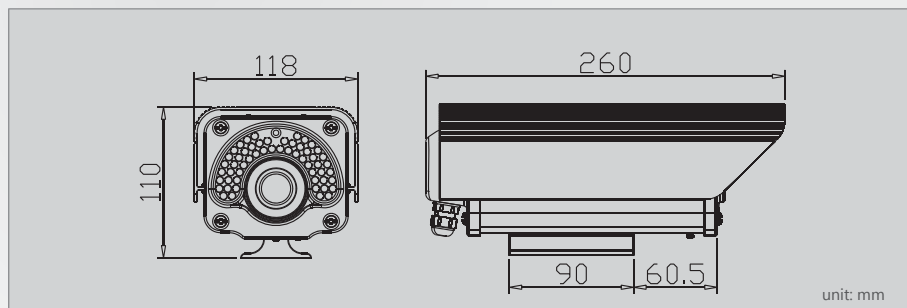
D&N On

SPECIFICATIONS

Video System	NTSC	PAL
Pick Up Element	1/3 Inch 960H CCD Image Sensor	
Image Signal Process	DIGITAL SIGNAL PROCESSING SYSTEM	
Lens Mount	2.8mm ~ 12mm (vari-focal) Auto Iris IR Lens	
Number Of Pixel	1020 (H) × 508 (V)	1024 (H) × 596 (V)
Picture Elements	APPROXIMATELY 520K	APPROXIMATELY 610K
Horizontal Resolution	700TVL	
Power Supply	AC 100~240V	
Consumption	50mA(IR OFF)/180mA(IR ON)	
Mechanical IR Cut Filter	Automatically Switches (IR Board Control)	
Synchronization	INTERNAL	
Scanning System	2 : 1 INTERLACE	
Sensitivity	0 LUX (IR ON)	
Minimum Illumination	0.03Lux	
S/N Ratio	Max.52 dB(AGC off, Weight on)	
Menu	Build in OSD Control	
Title	Title	
Wide Dynamic Range (WDR)	ATR Digital WD	
Back Light Compensation (BLC)	HLC / BLC / OFF	
Automatic Gain Control (AGC)	ON / OFF (4 Steps)	
Dynamic Noise Reduction(DNR)	2D-NR	
Day & Night Mode (D&N)	Color / B&W / AUTO	
Motion Detection	ON / OFF (24x16 Zones)	
Flicker Less	ON / OFF	
Privacy Mask	ON / OFF (8 Zones Programmable, Mosaic)	
Auto White Balance	ATW/PUSH/USER1/USER2/ANTI CR/MANUAL/ PUSH LOCK (1800K to 10500K)	
Electronic Shutter	AUTO: 1/60 S to 1/100000 S	AUTO: 1/50 S to 1/100000 S
Analog Output	1 Vp-p COMPOSITE VIDEO OUTPUT, 75 OHMS	
LEDs	56PCS	
IR Range	40M	
Wavelength	850 nm	
IP Rating	IP66	
Operating Temperature	-5° C ~ +40° C	
Dimensions (W × D × H)	118 × 110 × 260 mm	
Weight	About 1300 g	

★Product specifications are subject to change without notice; please contact us for the latest information.

DIMENSION



■ DISTRIBUTED BY

