



IR Camera



CCTV Surveillance

NEW 2013 FEB. V1.0

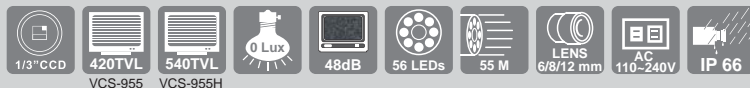


VCS-955(420TVL) VCS-955H(540TVL)

- 1/3" SONY CCD Image Sensor.
- Resolution: 420TVL/540TVL.
- 6mm / 8mm / 12mm LENS.
- Sensitivity: 0 LUX -IR ON.
- 56 PCS IR LED; 55M IR Range.
- IP66 Rating.

IR Camera

VCS-955 / VCS-955H

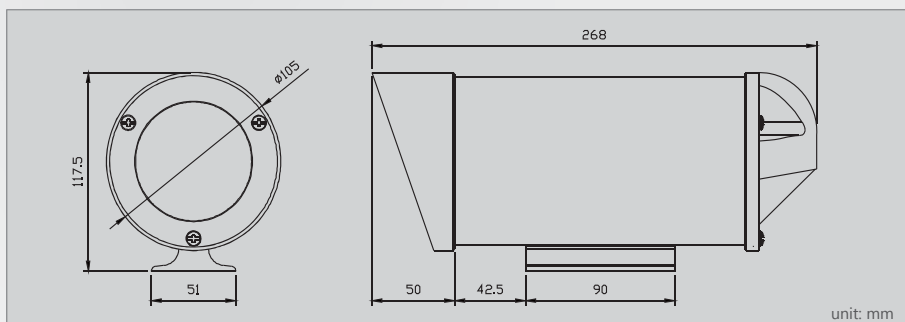


SPECIFICATIONS

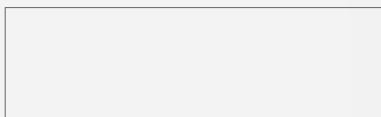
Model	VCS-955		VCS-955H	
	NTSC	PAL	NTSC	PAL
Video System	NTSC	PAL	NTSC	PAL
Pick Up Element	1/3 INCH CCD IMAGE SENSOR (INTER LINE)			
Image Signal Process	DIGITAL SIGNAL PROCESSING SYSTEM			
Lens	6mm / 8mm / 12mm (optional)			
Number of Effective Pixels	510 (H) x 492 (V)	500 (H) x 582 (V)	768 (H) x 494 (V)	752 (H) x 582 (V)
Picture Elements	Approximately 250K	Approximately 290K	Approximately 380k	Approximately 440k
Horizontal Resolution	MAX. 420 TV LINES		MAX. 540 TV LINES	
Power Supply	AC 110~240V			
Power Consumption	11W (at AC 110V)			
Synchronization	INTERNAL			
Scanning System	2 : 1 INTERLACE			
Sensitivity	0 LUX(IR ON)			
S/N Ratio	Max 48 dB			
Auto Gain Control	YES			
Back Light Compensation	YES			
White Balance	AUTO			
Electronic Shutter	NTSC: AUTO: 1/60 ~ 1/10000s			
	PAL: AUTO: 1/50 ~1/10000s			
Output	1 Vp-p COMPOSITE VIDEO OUTPUT, 75 OHMS			
LEDs	56PCS			
IR Range	55 M			
IR Wavelength	850 nm			
IP Rating	IP 66			
Operating Temperature	- 5° C ~ +60°C			
Dimensions (HxWxD)	105 x 117.5 x 268 mm			
Weight	About 1000g			

★Version updating is not going to inform, please check the on-going updating information

DIMENSION



■ DISTRIBUTED BY



unit: mm